



PREDELIVERY INSPECTION and ADJUSTMENT

Refer to the 36V Owner's Manual (LIT-51000-00-36) for information and adjustment procedures for the front and rear brakes (pgs 26-30), derailleur (pgs 30-33), and seat/seatpost (pgs 13-15).

1. Inspect the shipping carton for damage. Refer to EVG bulletin 99-001 if damage is found.
2. Open the top of the carton, and remove the accessory box. Check the box for the following items: 36V Owner's Manual, warranty card, charge cord, rear view mirror, pedals, cable ties, and cycle computer (PE & SX models).
3. Remove the E-Bike® from the carton by performing one of the following:
 - a. Set the carton on its end so the rear wheel is down. Grab the handlebar stem and seatpost, and roll the E-Bike® from the carton on its rear wheel (**Figure 1**).
 - b. Cut the carton down the side at each end and lower the front panel to the floor (**Figure 2**).



FIG. 1

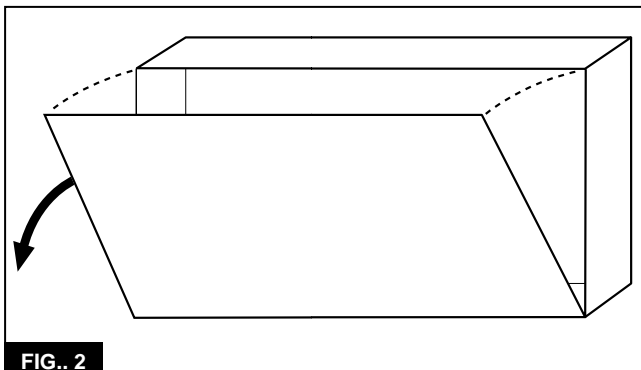


FIG.. 2

4. Loosen the stem-binder bolt. Rotate the handlebar so it runs perpendicular to the frame. Torque the stem-binder bolt to 180~250 kg-cm (13~18 ft.-lb.)



FIG. 3

5. Loosen the handlebar-binder bolts. Rotate the handlebar so the ends point down slightly. The handlebar grip should form a 10-20° angle with a line that parallels the floor. See **Figure 3** for LE models; **Figure 4** for PE & SX models.

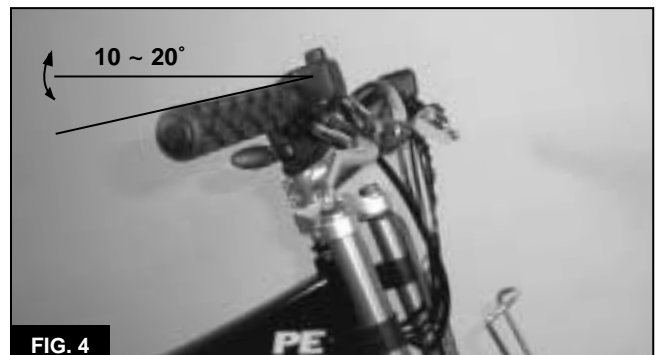


FIG. 4

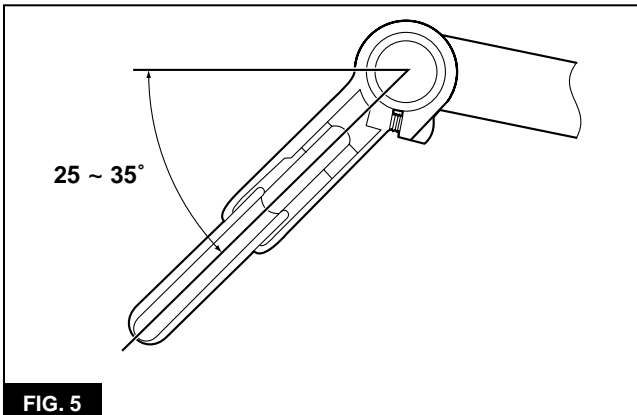
6. Loosen the clamp bolt on each brake lever, the throttle control (right side), the accessory control (left side), and the shifter. Position the controls on the handlebar as described below.

NOTE:

Do not overtighten the clamp bolt on either control. A control can be damaged if its clamp bolt is overtightened.

- a. Rotate the throttle control so the LEDs point to the rider's eyes. See **Figure 1** on page 7 of the 36V Owner's Manual. Snug down the clamp bolt. Do not overtighten the bolt.
- b. Rotate the accessory control (left) so the LED points to the rider's eyes. See **Figure 2** on page 8 of the 36V Owner's Manual. Snug down the clamp bolt. Do not overtighten the bolt.
- c. Rotate each brake-lever housing so the lever forms a 25-35° angle with a line that parallels the floor (**Figure 5**). Torque the clamp bolt to 30~40 kg-cm (26.5~34.7 in.-lb.)

- d. Rotate the shifter on the handlebar so the adjuster is perpendicular to the floor when the E-Bike® is held in an upright position. See **Figure 2** on page 8 of the 36V Owner's Manual. Torque the clamp bolt to 30~40 kg-cm (26.5~34.7 in.-lb.)



7. Slide the arm of the rear view mirror into the left handlebar end, and secure mirror with the mounting screw. If necessary, tighten the head pivot screw.

8. Install each pedal onto its respective crank arm. The pedal and crank arm on the right side use right-hand threads; on the left side, they use left-hand threads. Each pedal is identified by an "L" or "R" stamped on the end of the threaded shaft.

CAUTION:

To assure maximum battery life, always fully recharge the battery after each ride. Refer to IMPORTANT NOTICES on page 5 of the 36V Owner's Manual and to the yellow label on the battery pack.

9. Remove the battery pack from the E-Bike®, and charge the battery (See pages 9-12 of the 36V Owner's Manual).

10. Remove the rubber insulators (**Figure 6**) from the battery terminals on the terminal block.

11. Store the charge cord in the compartment above the bottom bracket by the rear wheel (**Figure 7**).

12. Check the tightness of all fasteners. Also be sure the front-wheel quick release lever is secure. See page 23 of the 36V Owner's Manual.

13. Check the tire inflation pressure. Adjust the pressure to 60-65 psi if necessary.

14. Check the system by performing the following:
- Turn the power knob to ON, and wait for a good beep.
 - Wait 5 seconds, and turn the power knob to OFF.
 - Remove the battery pack.
 - Wait 30 seconds, and turn the power knob to ON.



e. The state-of-charge LEDs should illuminate briefly and the system should beep or chirp. Complete PDI and deliver the bike.

If this does not occur, the controller may be damaged. Set the bike aside, and notify EVG at 310/208-7076. A replacement controller with installation instructions will be sent at no cost to you.

15. Test ride the E-Bike®. Check the operation of the following:

- **Power System.** Turn the power knob on the throttle control to the ON position. The three LEDs should simultaneously flash three times. See pages 7-8 in the 36V Owner's Manual.
- **Brake System.** Check the operation of each brake. Be sure the brake light turns on when each brake is applied. See pages 7 & 9 of the 36V Owner's Manual.
- **Lighting System.** Be sure the headlight, taillight, and green LED turn on when the headlight switch is ON as described on page 9 of the 36V Owner's Manual.
- **Horn, Cruise Control, and Performance/Economy (P/E) Mode selector.**
 - Be sure the cruise control disengages when either the brake lever or the horn is actuated.
 - Listen to the motor as you operate the P/E switch. The motor speed should slow down (the tone of the motor deepens) when the switch is moved from performance to economy.